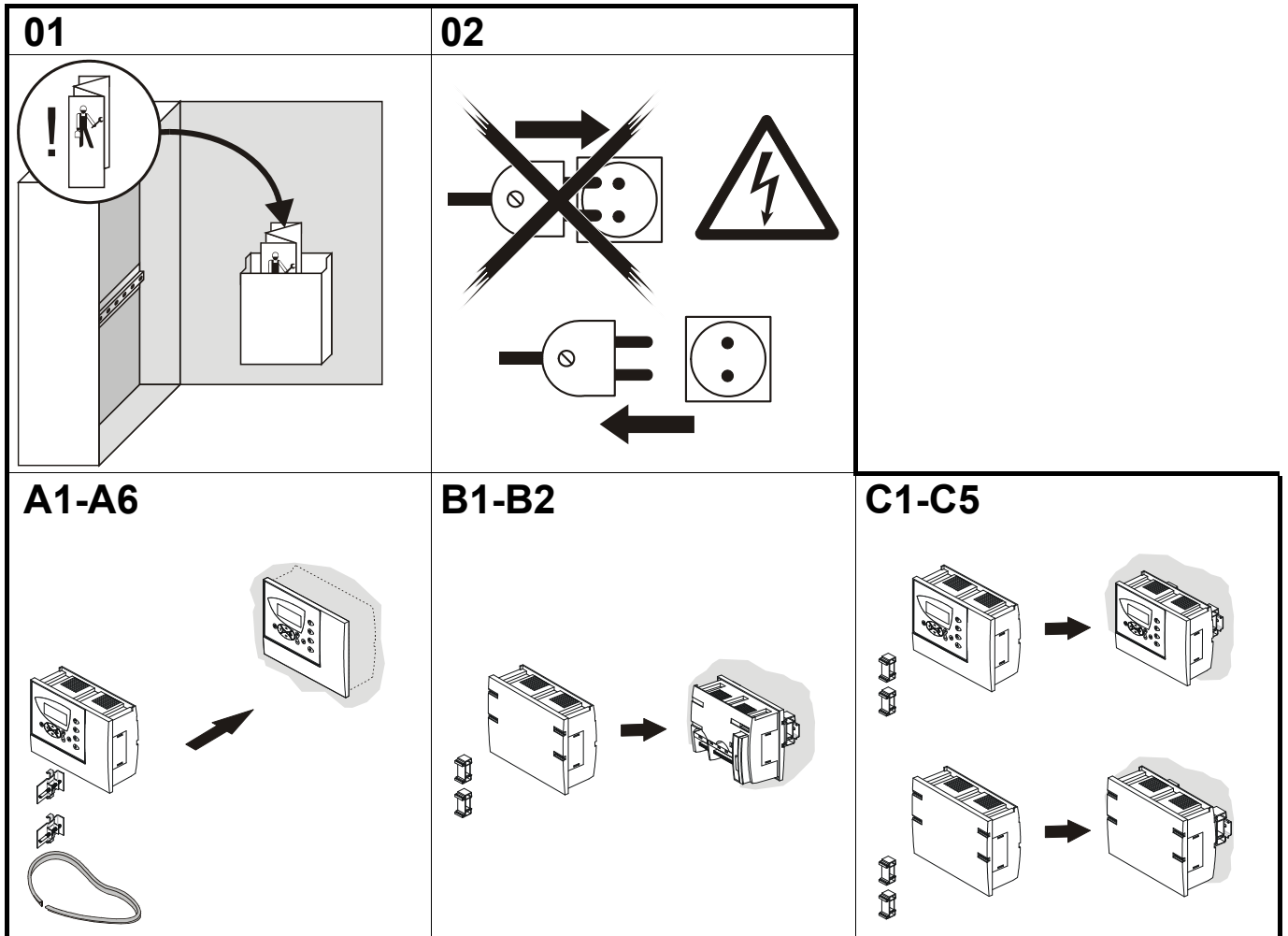


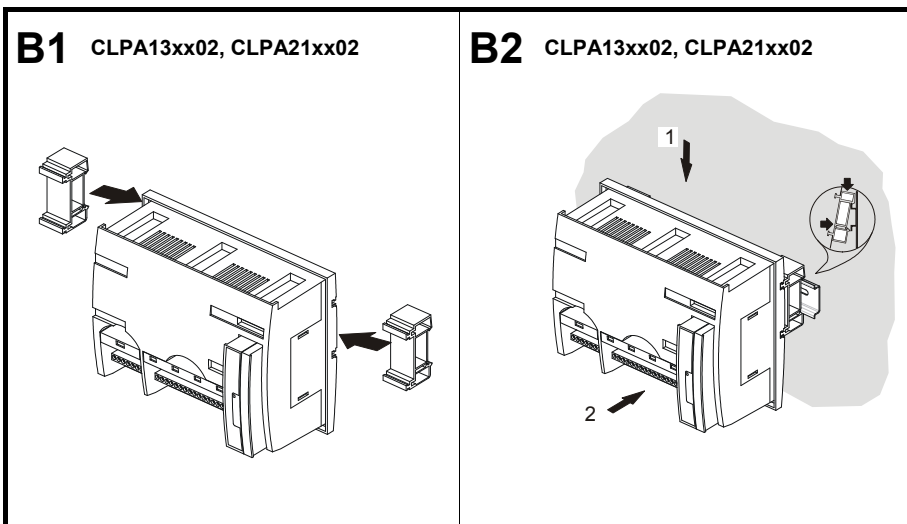
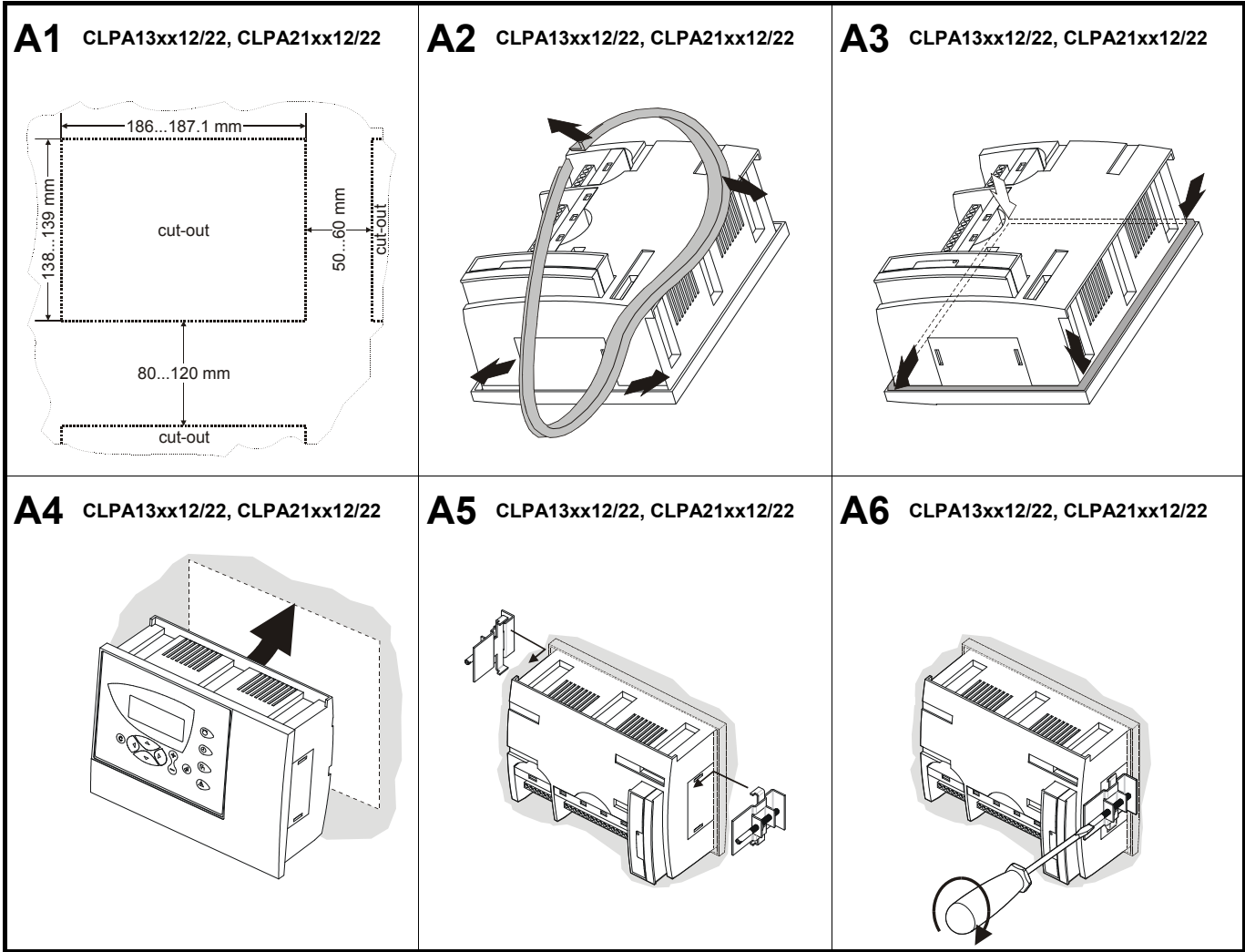
PANTHER Controller

MOUNTING INSTRUCTIONS
MONTAGEANLEITUNG
INSTRUCTIONS D'INSTALLATION
DOCUMENTATIE VAN DE INSTALLATIE
MONTAVIMO INSTRUKCIJA
ИНСТРУКЦИЯ ПО МОНТАЖУ
INSTRUCȚIUNI DE MONTARE
MONTAJ ANLATIMI
SZERELESI UTASÍTÁS
NÁVOD K MONTÁŽI

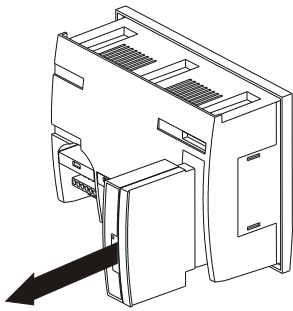


CLPA21XXXX + MINI (CLPA13XXXX)

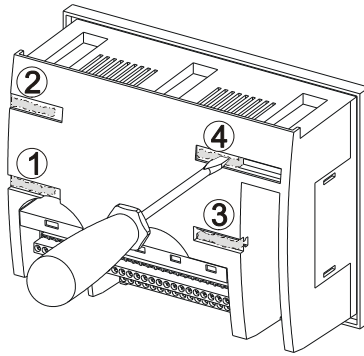




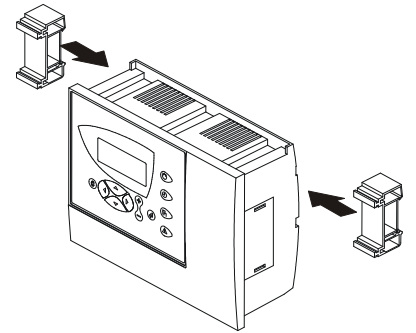
C1 CLPA13xxxx, CLPA21xxxx



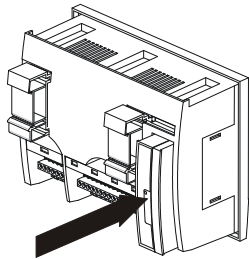
C2 CLPA13xxxx, CLPA21xxxx



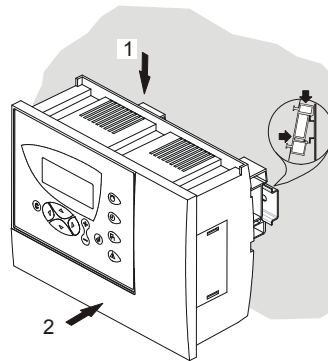
C3 CLPA13xxxx, CLPA21xxxx



C4 CLPA13xxxx, CLPA21xxxx



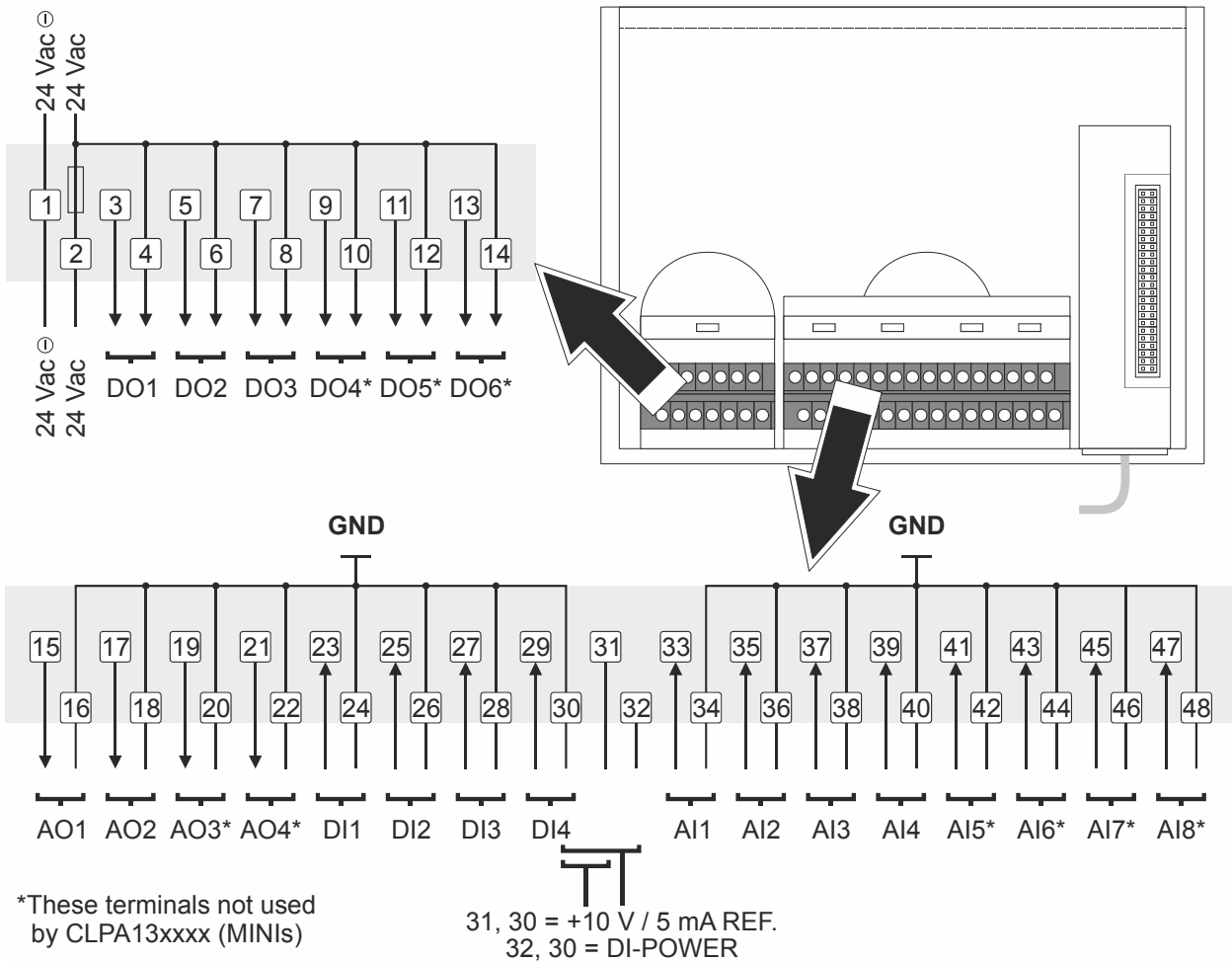
C5 CLPA13xxxx, CLPA21xxxx



E	WIRING	RUS	МОНТАЖ ЭЛЕКТРОПРОВОДКИ
D	VERKABELUNG	RO	INSTALATIE ELECTRICA
F	CABLAGE	TU	KABLOLARIN YERLEŞTIRILMESI
NL	BEDRADING	HU	VEZETEKEL
LIT	PAJUNGIMAS	CZ	ZAPOJENÍ

WIRING

D1



Manufactured for and on behalf of the Environmental and Combustion Controls Division of Honeywell Technologies Sàrl, Rolle, Z.A. La Pièce 16, Switzerland by its Authorized Representative:

CentralLine
 Honeywell GmbH
 Böblinger Strasse 17
 71101 Schönaich, Germany
 phone: +49 7031 637 845
 fax: +49 7031 637 740
info@centraline.com
www.centraline.com

Printed in Germany.
 Subject to change
 without notice.
 MU1Z-0908GE51 R0512G

