

CLAXHAWKIFLON

LON option card for HAWK



Installation Instructions

CLAXHAWKIFLON

This document covers the mounting and wiring of the LON option card in a CentralLine HAWK2xx/6xx controller.

Table 1 LON option description

| Description | Notes |
|---|---|
| FTT-10A LON (LonWorks) adapter with a 2-position removable screw-terminal connector plug. | Up to 2 LON option cards may be installed. <ul style="list-style-type: none">• If one LON option, it operates as LON1, regardless of slot.• If two LON options, LON1 is option slot 1, LON2 is option slot 2. See Figure 1 for location of option slots. |

For related HAWK mounting and wiring details, please see the *HAWK2xx/6xx Installation Instructions* document (Literature No.: EN1Z-0944GE51)

Included in this Package

Included in this package you should find the following items:

- an LON option card, along with connector end plate
- one 2-position terminal plug, for wiring to an FTT-10 LonWorks® network
- This CLAXHAWKIFLON Installation Instruction

Mounting

Warning Power to HAWK2xx/6xx must be OFF when installing or removing option cards, or damage will occur! Also, you must be very careful to plug any Option card into its connector properly (pins aligned).

Mount the LON option card in either of the option card slots of the HAWK2xx/6xx, as available. See the notes in [Table 1](#) about LON adapter software assignments if installing two LON option cards.

Procedure Mounting option cards on a HAWK 2xx/6xx.

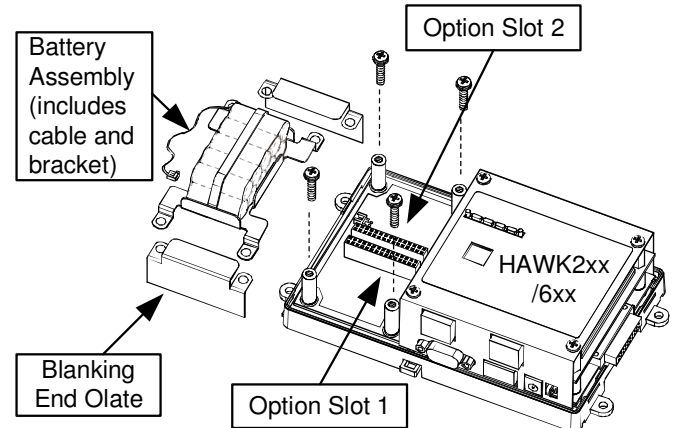
- Step 1** Remove power from the HAWK 2xx/6xx—see the previous WARNING.
- Step 2** Remove the cover. To do this, press in the four tabs on both ends of the unit, and lift the cover off.
Note If accessory modules are plugged into the HAWK2xx/6xx, you may need to slide them away from the unit to get to the cover tabs.

Trademark Information

LON, LonWorks, and Neuron are trademarks of Echelon Corporation registered in the United States and other countries.

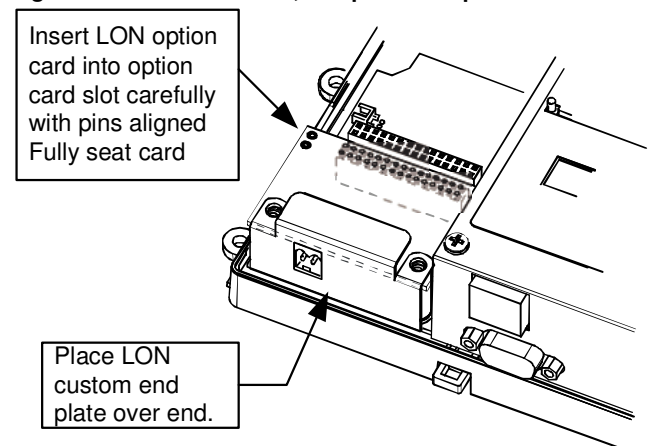
- Step 3** Remove the battery and bracket assembly by taking out the four screws holding it in place, setting the screws aside for later. Unplug the battery from the connector on the HAWK 2xx/6xx. See [Figure 1](#) for an exploded view.

Figure 1 Remove screws and battery assembly.



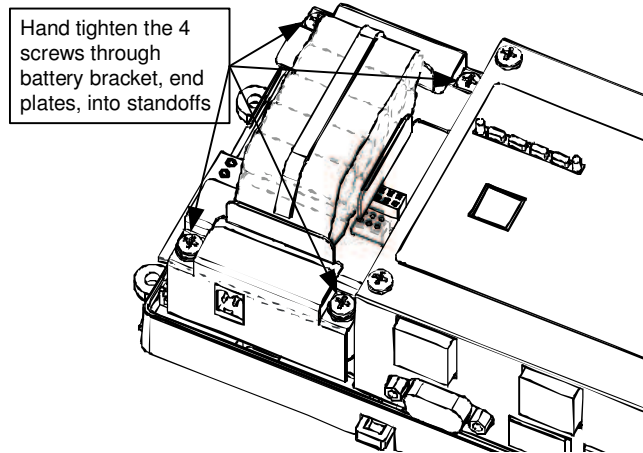
- Step 4** Remove the blanking end plate for the slot you are installing the option card into. (Retain the blanking plate in case the option card must be removed at a later date.) **Step 5** Carefully insert the pins of the option card into the socket of the appropriate option card slot. The mounting holes on the option board should line up with the standoffs on the base board. If they do not, the connector is not properly aligned. Press until the option card is completely seated.
- Step 6** Place the custom end plate that came with the option card over the connector(s) of the option card. (see [Figure 2](#))

Figure 2 LON inserted, end plate on top.



- Step 7** Plug the battery connector plug into the battery connector on the HAWK 2xx/6xx. (see Figure 2)
- Step 8** Set the battery and bracket assembly back over the option card slots, with the mounting holes aligned with the standoffs.
- Step 9** Place the four screws through the battery bracket, end plates, and into the standoffs on the HAWK 2xx/6xx base board. Hand tighten these screws.

Figure 3 Re-fasten screws through battery bracket.



- Step 10** Replace the cover. If accessory modules were unplugged, plug them back into the HAWK as before, and secure.

Wiring

Connect LonWorks FTT-10 communications wiring to the 2 position connector of the LON option card. Note that polarity is not a factor in FTT-10 wiring.

Refer to the *LonWorks FTT-10A Free Topology Transceiver User's Guide* (078-0156-01F) for technical guidelines associated with free topology restrictions, and the *Junction Box and Wiring Guidelines for Twisted Pair LonWorks Networks* (005-0023-01) for more detailed information on wiring specifications. These documents are available on Echelon's web site (www.echelon.com).

LEDs

Two LEDs are visible on the top of the LON option card (cover must be removed from HAWK2xx/6xx):

- RX (green) — Receive, indicates that another LonWorks device is transmitting a message.
- TX (yellow) — Transmit, indicates that the HAWK is transmitting a message on the LON trunk.

Manufactured for and on behalf of the Environmental and Combustion Controls Division of Honeywell Technologies Sàrl, Ecublens, Route du Bois 37, Switzerland by its Authorized Representative:

CentraLine
Honeywell GmbH
Böblinger Straße 17
D-71101 Schönaich
Tel +49 7031 637 845
Fax +49 7031 637 846
info@centraline.com
www.centraline.com

CentraLine
Honeywell Control Systems Ltd.
Arlington Business Park
UK-Bracknell, Berkshire RG12 1EB
Tel +44 13 44 656 565
Fax +44 13 44 656 563
info-uk@centraline.com
www.centraline.com

Printed in Germany.
Subject to change
without notice.
EN1Z-0948GE51 R0608

**CENTRA[®]
LINE**
by Honeywell