

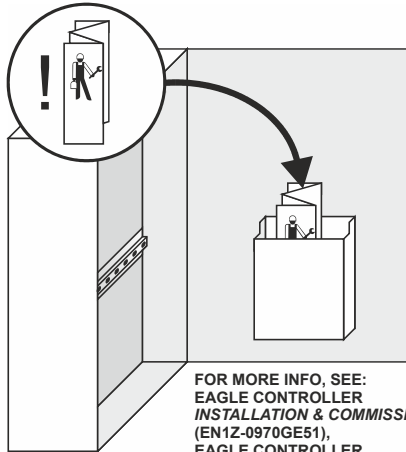
EAGLE Controller

MOUNTING INSTRUCTIONS

| | | |
|---|---|---|
| E Keep these instructions together with the device or with the equipment documentation! | F Cette instruction est à conserver avec le contrôleur ou avec la documentation de l'installation ! | P Guarde estas instruções junto do regulador ou junto da documentação da instalação! |
| D Diese Anleitung ist beim Gerät oder in der Anlagendokumentation aufzubewahren! | I Queste istruzioni devono essere conservate insieme al lettore o con la documentazione dell'impianto! | S Denna instruktion skall förvaras tillsammans med regler eller anläggningsdokumentationen! |
| DK Opbevar denne vejledning sammen med regler eller med anlægsdokumentationen! | N Denne vejledningen skal opbevares sammen med regler eller anlægsdokumentationen! | FI Tätä ohjetta tulee säilyttää laitteen läheisyydessä tai yhdessä muiden dokumenttien kanssa! |
| ES Conserve estas instrucciones con el recalar o con la documentación de la instalación. | NL Deze handleiding moet bij de regelaar, of met de documentatie van de installatie worden bewaard! | PL Instrukcję obsługi należy przechowywać przy urządzeniu albo w dokumentacji technicznej. |

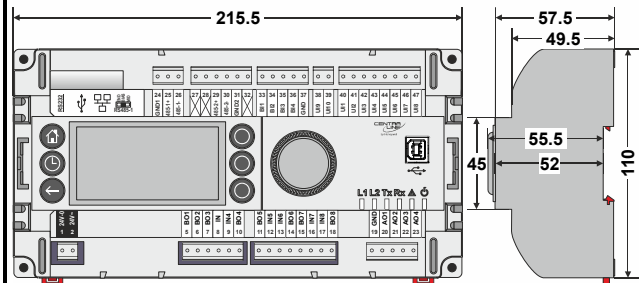
0A: INFO!

EAGLE CONTROLLER MOUNTING INSTRUCTIONS (MU1Z-0970GE51)



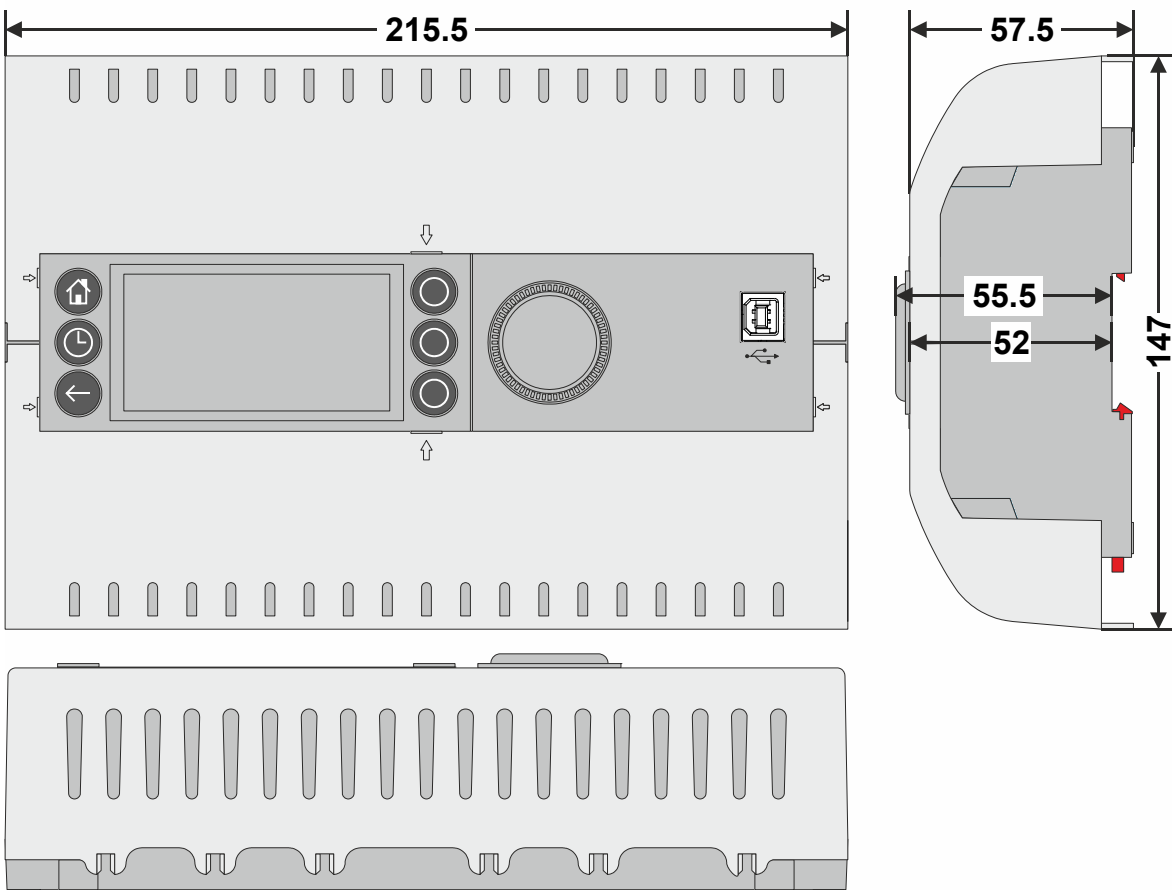
FOR MORE INFO, SEE:
EAGLE CONTROLLER
INSTALLATION & COMMISSIONING INSTRUCTIONS
(EN1Z-0970GE51),
EAGLE CONTROLLER
3rd-PARTY SOFTWARE LICENSES
(EN2Z-0991GE51), AND
CLEAHMI21 External HMI
MOUNTING INSTRUCTIONS
(MU1Z-0988GE51).

0B: DIMENSIONS CLEA20xBxx (WITHOUT COVER)



DIMENSIONS
CLEA20xBxx
(WITHOUT COVER MVC-80-AC1)

0C: DIMENSIONS CLEA20xxBxx (WITH COVER)



**DIMENSIONS
(WITH MVC-80-AC1)**

1A. DIN RAIL MOUNTING

ALTERNATIVE "A"

ALTERNATIVE "B"

2. WALL MOUNTING

IN CASE OF CABLE CONDUITS, MAINTAIN EXTRA CLEARANCE OF 25 mm NEXT TO CONDUITS.

4 mm Ø (4X)

205.5

100

SELF-TAPPING HEAD SCREW 3.5 X 19 mm (4X)

3. MOUNTING STRAIN RELIEF

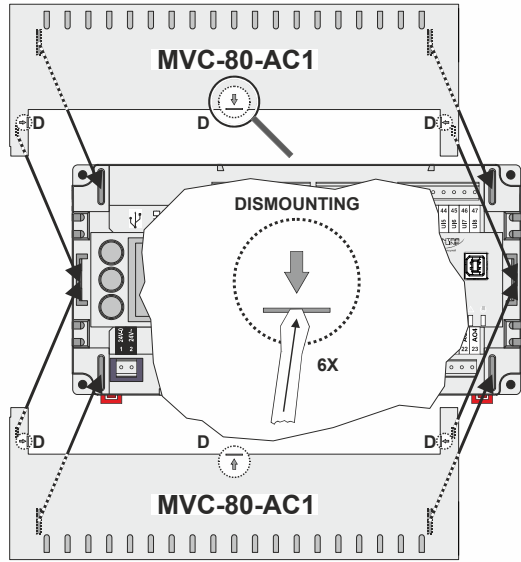
MVC-40-AC3

CLICK!

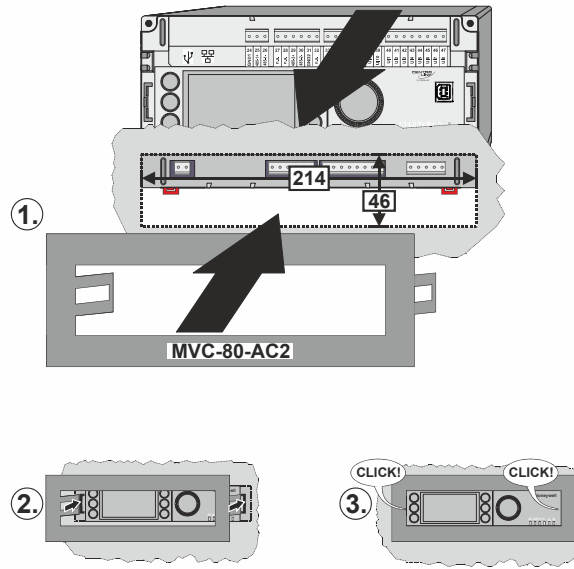
max. 9 mm Ø

max. 13 mm

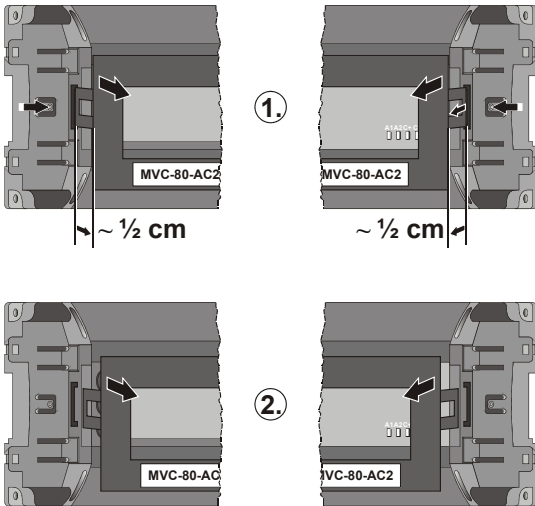
4. MOUNTING/DISMOUNTING COVERS



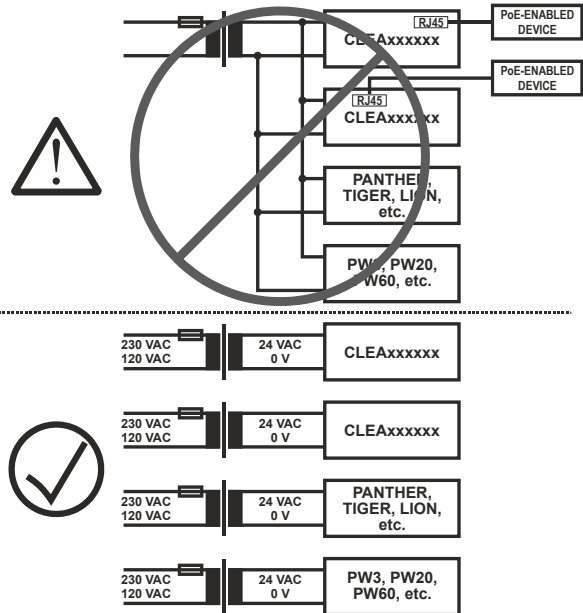
5A. PANEL/DOOR MOUNTING



5B. PANEL/DOOR DISMOUNTING



6A. WIRING

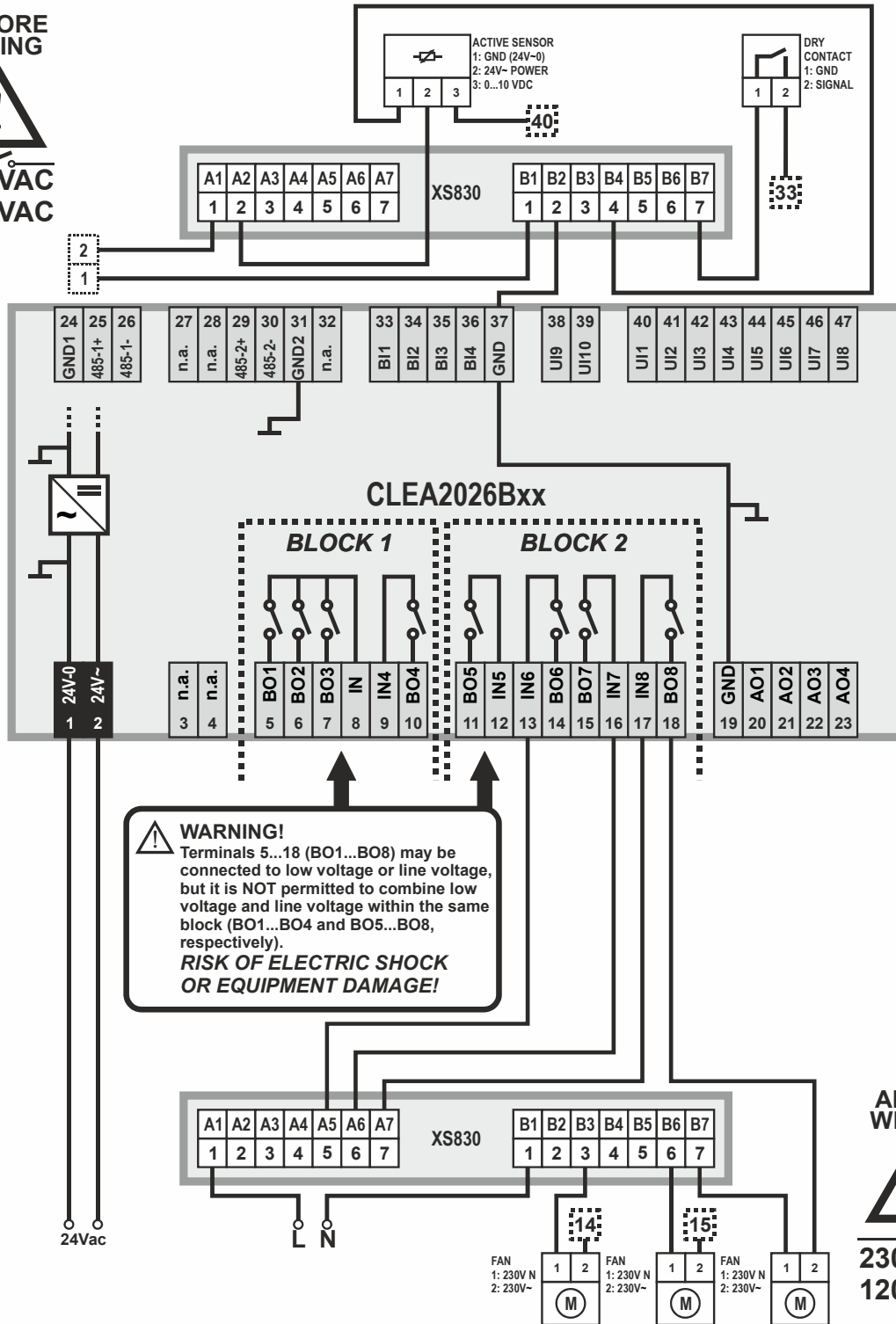


6B. WIRING

BEFORE WIRING



230 VAC
120 VAC



WARNING!
Terminals 5...18 (BO1...BO8) may be connected to low voltage or line voltage, but it is NOT permitted to combine low voltage and line voltage within the same block (BO1...BO4 and BO5...BO8, respectively).
RISK OF ELECTRIC SHOCK OR EQUIPMENT DAMAGE!

AFTER WIRING



230 VAC
120 VAC

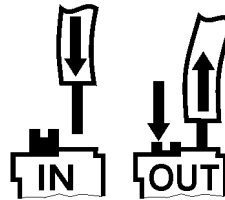
SPECIFICATIONS OF CONTROLLER

| | |
|-----------------------------|---|
| Power supply | 19 ... 29 VAC, 50/60 Hz, or 20 ... 30 VDC |
| Power consumption | typically dc: 5 W; max. 6 W typically ac: 9 VA; max. 11 VA |
| Current consumption | typically dc: 210 mA; max. 240 mA typically ac: 370 mA; max. 410 mA |
| Ambient temperature | 0 ... 40 °C (wall-mounting) 0 ... 50 °C (cabinet/door mounting) |
| Storage temp. | -20 ... +70 °C |
| Humidity | 5 ... 95% r.h. non-condensing |
| Dimensions | See pictures 0B, 0C. |
| Degree of protection | IP20 (mounted on walls, with two accessory MVC-80-AC1 covers) IP30 (mounted in cabinet doors, with accessory MVC-80-AC2) |
| Fire class | V0 |

CABLE SPECS, PUSH-IN TERMINALS

| | |
|---|------------------------------|
| plug gauge | 0.2 ... 1.50 mm ² |
| solid conductor H05(07) V-K | |
| stranded conductor H05(07) V-K | |
| stranded conductor with wire end ferrules (w/o plastic collar) | |
| stripping length | 10.0 +1.0 mm |

WIRING PUSH-IN TERMINAL PLUGS



use Cu only

RELAY SPECIFICATIONS

| | Block 1 | | Block 2 |
|--|-------------------|-------------------|-------------------|
| | BO1...3 | BO4 | BO5...8 |
| Contact volt. AC | 5...253 V | 5...253 V | 5...253 V |
| Contact volt. DC | 5...30 V | 20...30 V | 5...30 V |
| Max. contact current AC (res.) | 3 A | 10 A | 3 A |
| Max. contact current AC (induct.) | 0.3 A* | 10 A | 0.3 A* |
| Max. contact current AC (induct.) | 2 A** | 10 A | 2 A** |
| Max. contact current DC | 3 A | 7 A | 3 A |
| Min. load | 100 mA / 5 Vdc | 40 mA / 24 Vdc | 100 mA / 5 Vdc |

* typically 250,000 cycles; ** typically 50,000 cycles

NOTE: The total max. sum load for all binary outputs (BO1...8) equals 14 A.

NOTE: Binary output 4 supports the switching of high inrush currents. The max. allowed switch current is 80 A for a duration of max. 20 ms.

STANDARDS, APPROVALS, ETC.

| |
|--|
| Purpose of the device is: OPERATING CONTROL and multi-functional non-safety control intended for HVAC in home (residential, commercial, and light-industrial) environments |
| Device meets BTL, AMEV AS-A, EN 60730-1, EN 60730-2-9, UL60730, and UL916. |
| Independently mounted electronic control unit with fixed wiring. |
| Shock protection: Class II. |
| Pollution degree: 2. |
| Installation: Class 3 |
| Rated impulse voltage: 330 V for SELV, 2500 V for relay outputs |
| Type of action: Type 1.C. |
| Software Class: A. |
| Ball-pressure test temperature: housing parts > 75 °C terminals > 125 °C |
| NOTE: Keep AC mains supply/load cables separate from signal wiring! |

WEEE DIRECTIVE

| WEEE: Waste Electrical and Electronic Equipment Directive | |
|---|---|
| | <ul style="list-style-type: none"> At the end of the product life, dispose of the packaging and product in an appropriate recycling center. Do not dispose of the device with the usual domestic refuse. Do not burn the device. |

Manufactured for and on behalf of the Environmental and Combustion Controls Division of Honeywell Technologies Sàrl, Rolle, Z.A. La Pièce 16, Switzerland by its Authorized Representative:

| | |
|--|--|
| <p>Centraline Honeywell GmbH Böblinger Strasse 17 71101 Schönaich, Germany Phone +49 (0) 7031 637 845 Fax +49 (0) 7031 637 740 info@centraline.com www.centraline.com</p> | |
| <p>Subject to change without notice MU1Z-0970GE51 R0715F</p> | |